

GHG-JG150 Gravity Soft Close Hinge

Self Close · Soft Close

Features

- Automatically and slowly close doors from 65 degrees (The self-close feature uses gravity, and the soft-close feature is due to a built-in damper)
- Can separate into two parts for easy installation and disassembly
- The closing speed of doors is adjustable
- Doors cannot be removed when closed for security purposes (0°)
- Door position can be adjusted for depth and in a horizontal direction (± 3 mm)
- Passed 50,000 life cycle test

Notes

- Operating temperature: - 0° to 40°
- Set door stopper to prevent doors from opening over 180°
- Sold in set of two hinges (soft-close hinge and self-close hinge)

Parts Included

- Cover
- Adjustment plate

Recommended Screw

- M6 Binding head screw / Pan head screw
- M6 Hexagon socket head bolt / Button bolt

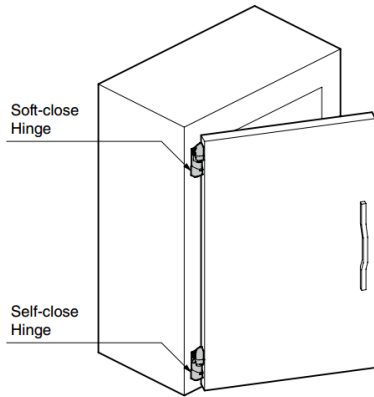


Self-close Hinge
(for lower)

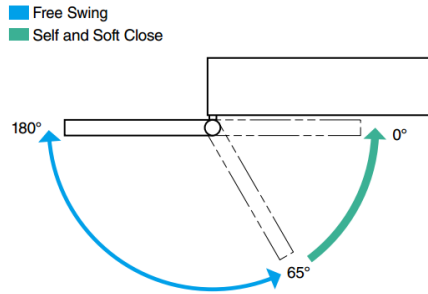
Soft-close Hinge
(for upper)

No.	Part Name	Material	Finish
①	Body	Zinc Alloy (ZDC)	Chrome
②	Speed Adjustment Screw	Steel	Nickel
③	Cover	ABS	Chrome
④	Adjustment Plate	Zinc Alloy (ZDC)	

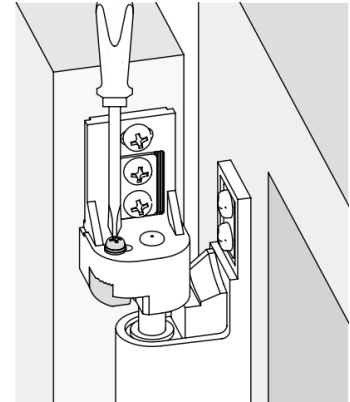
Installation of Left-handed Type



Door Motion



Speed Adjustment

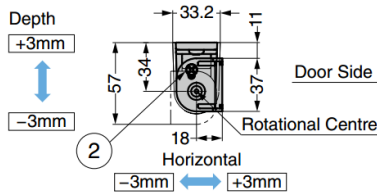


Closing speed can be adjusted with the screw of the soft-close hinge which is for the upper side.

* Pitch between hinges: Min. 1200 mm

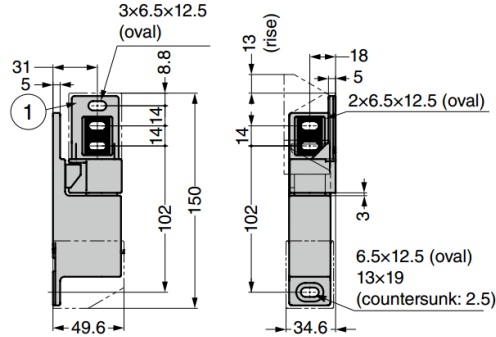
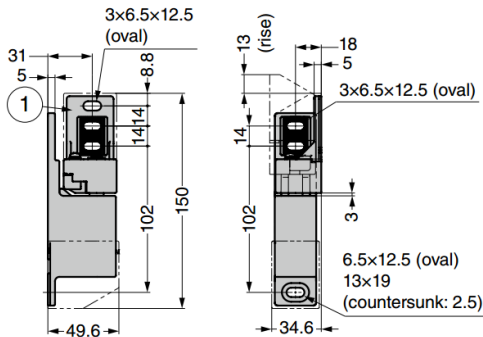
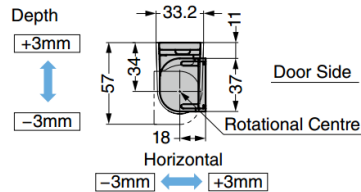
Soft-close Hinge

Housing Side



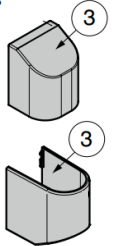
Self-close Hinge

Housing Side

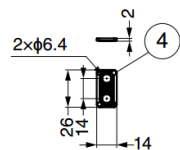


* Left-handed type is shown.

Covers



Adjustment Plate



Sold in set of two hinges (soft-close hinge and self-close hinge)

Part No.	Position	Finish	Door Width	Door Height	Load Capacity
GHG-JG150R-CR	Right-handed	Chrome	Max. 900	Max. 2400	10 to 20 kg / set
GHG-JG150L-CR	Left-handed				